



# EXACT

LINEAR

# PLUS



 USER FRIENDLY

 HiRes TARGET

 WORLD DATABASES

 CHASSIS

 CAMERA MOVEMENT

 TUTOR

**LIFT LEVEL AUTOMATIC TRACKING FUNCTION (optional)**

The wheel aligner for everyone...  
Simplicity combined with top notch performance.



# EXACT LINEAR PLUS

New ergonomic working surface for better operation.

## ENTRY LEVEL PRICING

Entry-level price with top-of-the-range specifications. A small investment for a great return.

The ideal wheel aligner for everyone

- Fast
- Easy
- Precise
- Reliable
- Complete
- Quality at affordable prices



### 1 USER FRIENDLY

Corghi Icon user friendly graphics. Simple and efficient easy to learn, fast to select. Ergonomic worktop.

### 2 HIGH-RESOLUTION LIGHT TARGET

It can be detached from the bracket and is compatible with all Corghi brackets. Front infrared filter for enhanced immunity to solar reflections.



### 3 DRIVE ON ASSISTANT: YOUR ASSISTANT TO DRIVE ON THE LIFT

Drive on assistant for safe maneuvering in the workshop without additional operator or mirror.



### 4 HIGH QUALITY CAMERA

**High resolution HI-Q last generation camera** for machine vision. **Optimized monolithic optics** with low distortion ( $RAVG < 0,50\%$  in NIR) with nano anti-reflection coating. **Integrated LPF filter** to eliminate sunlight reflections. **Light operational indications** with the integrated synoptic panel.

#### MEASUREMENT "IN DIFFERENCE"

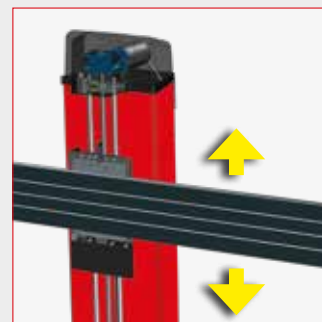
Each acquisition is differentially processed by 2 consecutive images to eliminate measurement problems in critical sunlight conditions or in the presence of light reflections.



## 5 NEW INTEGRATED LIFT WITH WORMGEAR AND SAFETY SYSTEM (PATENT PENDING)

Positioning accuracy reaches top-of-the-range levels.  
Camera movement kit allows the operator to work from pit level to over 2.00 meters by pressing a key on the keyboard. Fast and easy (optional).

**LIFT LEVEL AUTOMATIC TRACKING FUNCTION** (optional)  
**INTEGRATED SAFETY MECHANISM** (PATENT PENDING).



## EXACT SOFTWARE

### USER FRIENDLY



User Friendly graphics  
Icon based EXACT software.  
Easy to learn, fast to select.



### CHASSIS



Real-time chassis measurement with  
corresponding graphics.  
Real-time graphic indications.



### WORLD DATABASE



International Database by World  
regional area for easy selection.  
Select your area in the set up, but  
always have the rest of the world data  
available at your fingertips.



### PRINTOUT MODE



Selectable and customisable colour  
or black and white printout. Vehicle  
and chassis graphic measurement  
printout.



### HiRes TARGET



Live adjustment, all angle values  
indicated in real time.



### TUTOR



Selectable tutor on line that follows  
the operator step by step with graphic  
indicator on how to proceed.



## TECHNICAL DATA

### Measuring ranges

Total toe	± 20°
Half toe	± 10°
Camber	± 10°
Caster	± 30°
King pin	± 30°
Set back	± 22°
Thrust angle	± 10°
Steering difference	± 20°

### Power supply

Power supply voltage	115-230 Vac
	50-60 Hz 1ph
Power absorption	500 W
Pc Holder	11 kg
Camera beam	26 kg
Column	66 kg
Camera resolution	2592 × 1944 10,000,000 Pixel

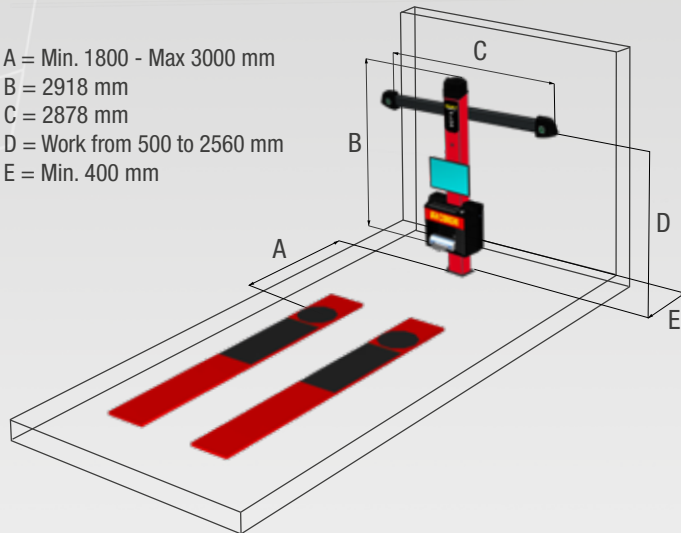
## STANDARD EQUIPMENT



\* For Full Pack versions only

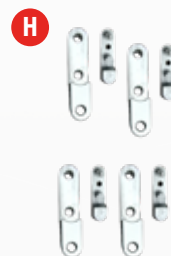
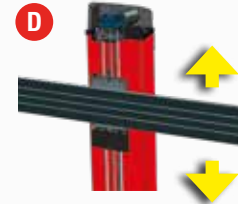
## OVERALL DIMENSIONS

A = Min. 1800 - Max 3000 mm  
 B = 2918 mm  
 C = 2878 mm  
 D = Work from 500 to 2560 mm  
 E = Min. 400 mm



## RECOMMENDED ACCESSORIES

- A** Calibration kit 2.0 for calibration and maintenance.
- B** Trolley for clamp and target.
- C** Drive On Assistant for on screen indicator for vehicle positioning on the lift.
- D** Lift kit with wormgear. It allows working from the ground level up to a height of 2 meters.
- E** A printer cabinet with wheels and a door.
- F** Aligner Trolley. To use the wheel aligner in different lifts or in drive thru mode.
- G** 10-21" self-centering brackets.
- H** 26" extender kit for brackets.
- I** Turntables.
- J** Printer



For further information, consult the complete accessories catalogue

The manufacturer reserves the right to modify the features of its products at any time. DPG001107B - 06/2022



NEXION SPA - [www.corghi.com](http://www.corghi.com) - [info@corghi.com](mailto:info@corghi.com)



Per aiutare il pianeta ottimizzando il consumo di carta, i nostri cataloghi sono consultabili sul sito [www.corghi.com](http://www.corghi.com). Una stampa responsabile aiuta a preservare l'ambiente. To protect the planet and reduce paper usage, our catalogues are viewable online at the website [www.corghi.com](http://www.corghi.com). Printing responsibly contributes to saving the environment.

